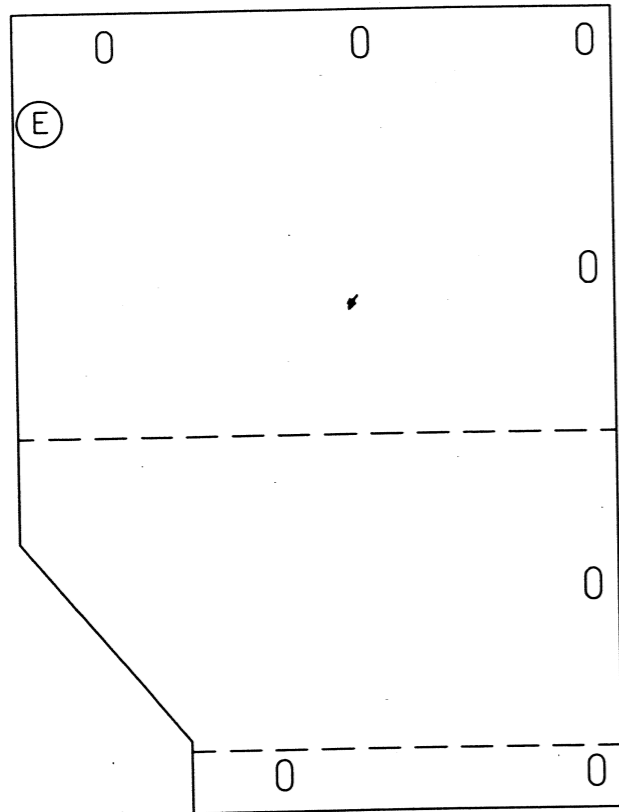
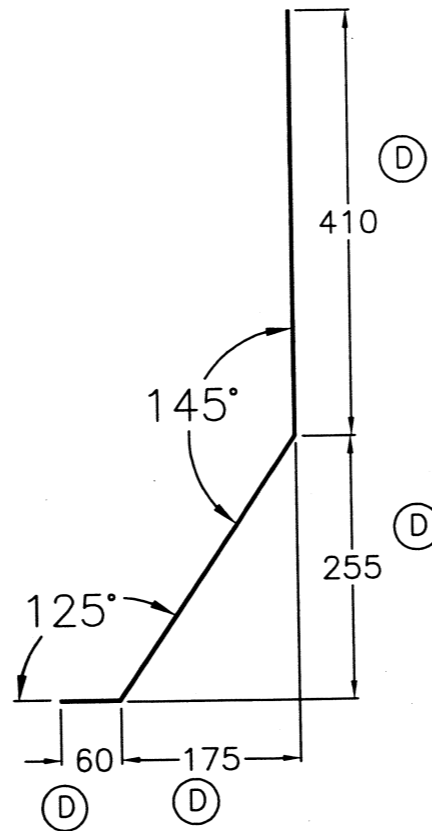


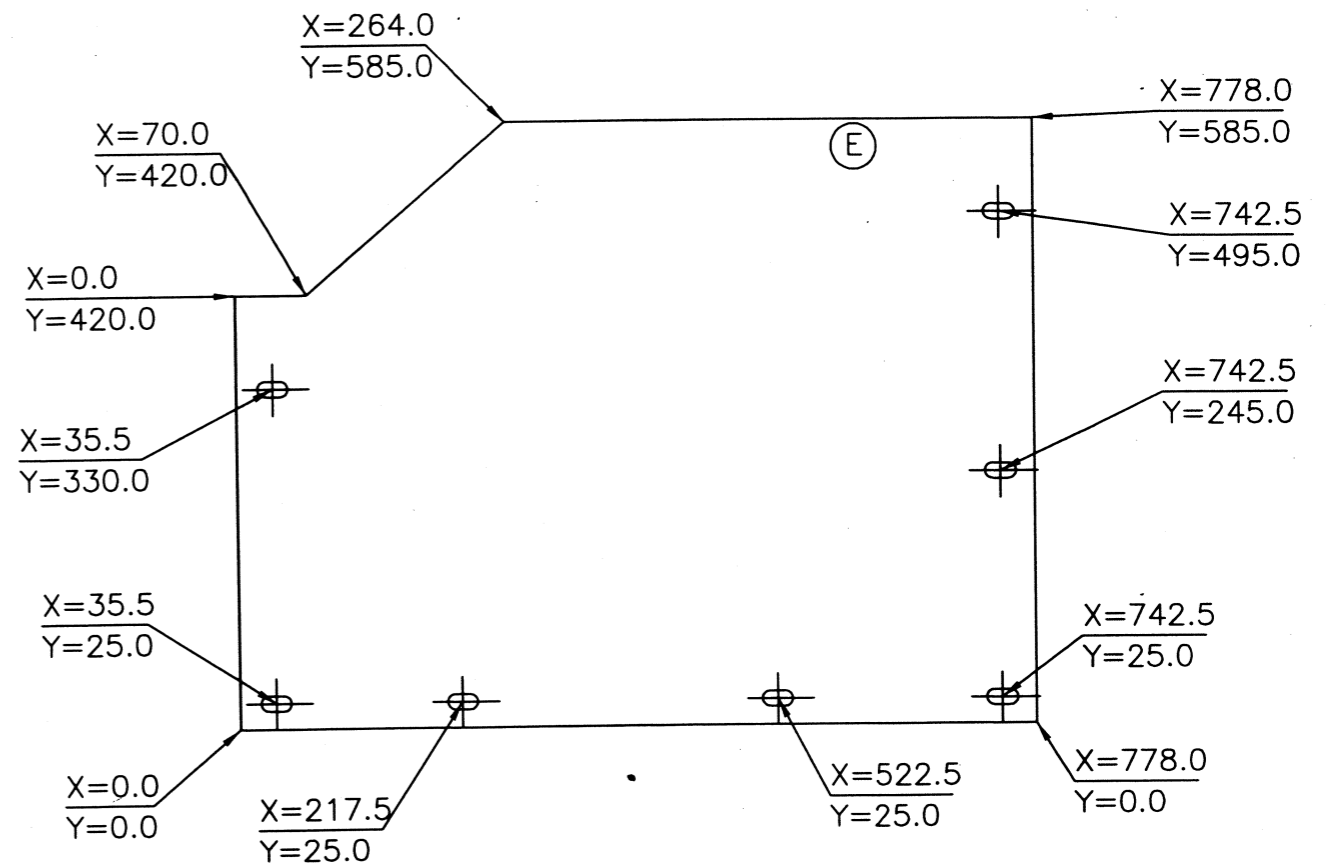
D:\MVK\R&D\620-07-2004-1



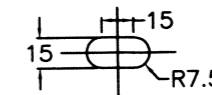
DASHED LINES ARE GIVEN FOR BENDING REFERENCE



BENDING DRAWING



SLOT DETAILS



ORDNANCE FACTORY, MEDAK
 Yeddumailaram-502 205 (AP)
 Research & Development Section
Issue of Drawings

Control No:..... Date:.....

Issued To:

No. of prints:.....

HOS/R&D

NOTE:

1. ALL THE DIMENSIONS ARE IN mm.
2. UNSPECIFIED LIMIT DEVIATIONS ARE ± 1 mm.

(E)	01.01.09	Slot of 50x50 deleted	USED ON QTY./VEH. MPV 01
(D)		BENDING DRAWING AMENDED AND CORRESPONDING DIMS AMENDED. DIMS 410,255,175,60 WAS 405,265,135,70 RESPECTIVELY.	
ISSUE	APPRD.	NATURE OF AMENDMENT	
AUTHD		DRG. NO: 620-07-2004-1/E	
APRD.	M.S.P	PARTITION PLATE (CO-DRIVER SIDE) (MPV)	SHEET NO
CHKD.	M.K.		SCALE
DRWN	MVK		WEIGHT
	NAME SIGN DATE		
ORDNANCE FACTORY MEDAK		MATERIAL: ST34-IS:1079 (2mm THK)	3rd ANGLE

2/07