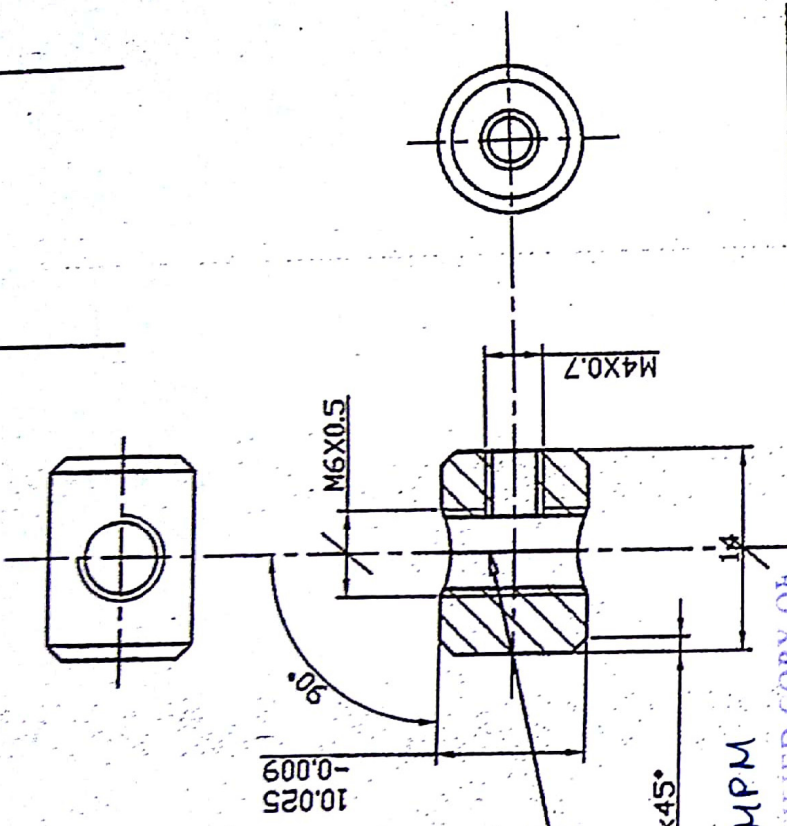


AR/01/23-RFI

DC RFI NO DATE SIGN
119/039/14 29/9/14



LINE 1mm THICKNESS X0.25
DEPTH TO BE MARKED ON

1x45°

10s/MPM

CERTIFIED COPY OF
ORGANIZATION/GAUGE SCHEDULE
AT THIS DATE 09/03/18

DIA	DIMNS.
MAJOR	6.00 MIN.
PITCH	5.675 +0.06
DIA	5.46 +0.12

MATL.- STEEL BS970 PT 1-1983
GD. 709 M40 (EN-19)

TREAT :- HRD. 240-302 HB

PROTECTIVE FINISH:- PHOSPHATED TO SPECN. JSS: 0465-01-1988
CLASS II(ACCELERATED), OIL FINISH

DIMENSIONS ARE IN MM.

INDIAN ORDNANCE FACTORIES
RIFLE FACTORY
ISHAPORE

7.62 mm ASSAULT RIFLE (GHAATAK)

SCALE:
2:1

NUT FORE SIGHT

2016	NAME	DATE
DESIGNED		
DRAWN		29/9/14
CHECKED		
APPROVED		

DRAWING NO.
AR/01/23-RFI



SHEET - 1 OF - 1