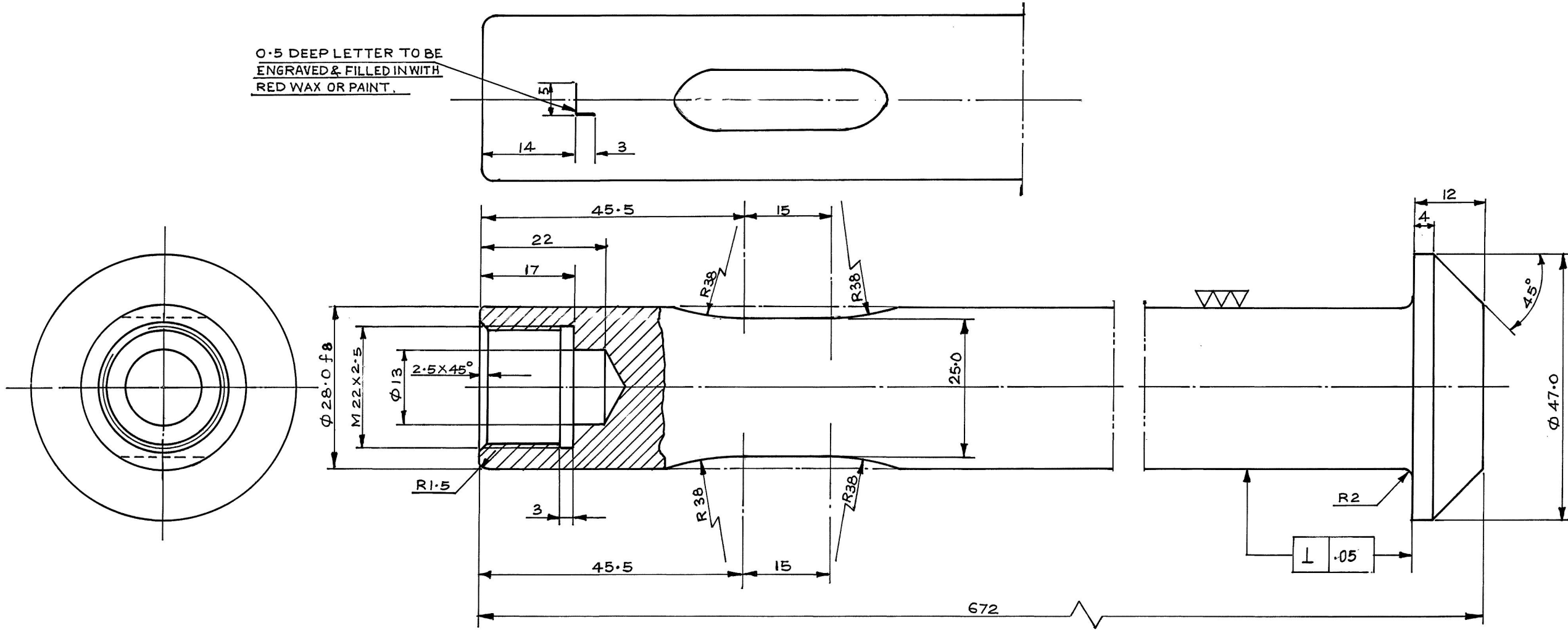


DS CAT No. 1015-000608

FOR EXPLANATION OF DIMENSIONING ETC. SEE ARDE NOTE SHT No.1
DIMNS. ARE IN mm, UNLESS OTHERWISE STATED.

THREAD CONFORM TO IS: 4218

NOM. SIZE & FIT	DEVIATION
$\phi 28.0 f8$	-0.020 -0.053



0.5 DEEP LETTER TO BE ENGRAVED & FILLED IN WITH RED WAX OR PAINT.



12-09-17	19615-W	MATL AMENDED	
12-11-03	18819-W	HINDI NOMEN ADDED	
28-7-97		RETRACED WITHOUT CHANGE	
		REV. DC No. 15961-W & 16095-W/DT. 23-12-83	
DATE	AUTHORITY	ZONE	NATURE
			SIG AHSP
			SIG DO
			C/D'MAN
			DO
			FOR CQA(W)
			AMENDMENTS
DRG SEALED:- DC No. 16095-W DT. 23-12-83			DO CQA(W)

HV-201-255		
DRAWN:-	CHD:-	ASSY DRG:- 1015-000601
TRACED:- NSC	CHD:- G.P. Shukla	DATE:- 9-7-70
	AHSP	SCALE:- 2:1
		ESTD mass:-
MATL.:- IS: 5517-1993, GRADE 40CB (LRS-63)		
PROTECTIVE FINISH:-		

CQA(W)JABALPUR
DESIGN No. D6P-310904
PART No. IFL 7425
DS CAT No. 1015-000608

ROD राड