

ORDNANCE FACTORY
DEHRADUN

JWM/D.O.	<i>[Signature]</i>
WMP	<i>[Signature]</i>
APPROVED	<i>[Signature]</i>
CH-	<i>[Signature]</i>
TR-	
DRAWN BY: P.C.SINGH	

DRG. NO.
CQAH 789/16

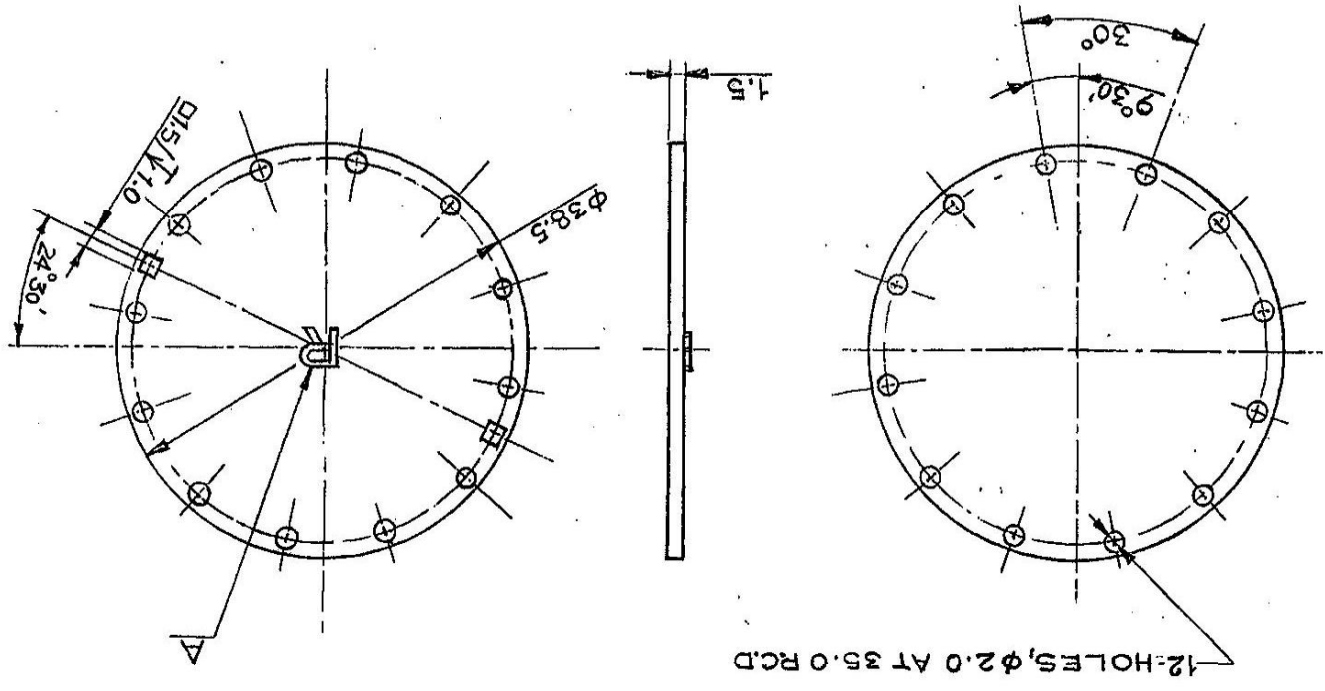
BINOCCULAR 8x30 R
INSERT, FLEXIBLE COUPLING

OFD/DO/002	MCT- 2928
AMENDMENTS	DRAWING NO.
DATE: 01/2015 Dt. 21/2015	SHT. NO. 1
AS ABOVE	AS ABOVE
MATL.	TREAT.
DT-12-06-2010	SCALE - NTS

VISIBLE OUTSIDE SURFACE WITH SURFACE
STRUCTURE ACCORDING TO DIN VD13400
REF 30°
A: INDEX "R", 0.3mm RAISED, FONT SIZE 3.0mm
COLOUR: RAL 6014

MATL. & SPEC- PC

TEMPERATURE COMPATIBILITY OF
THE COMPONENTS. (+80° ± 3.840 ± 3°)



ORDNANCE FACTORY
DEHRADUN

DRAWN BY: P.C.SINGH

TR-

CH-

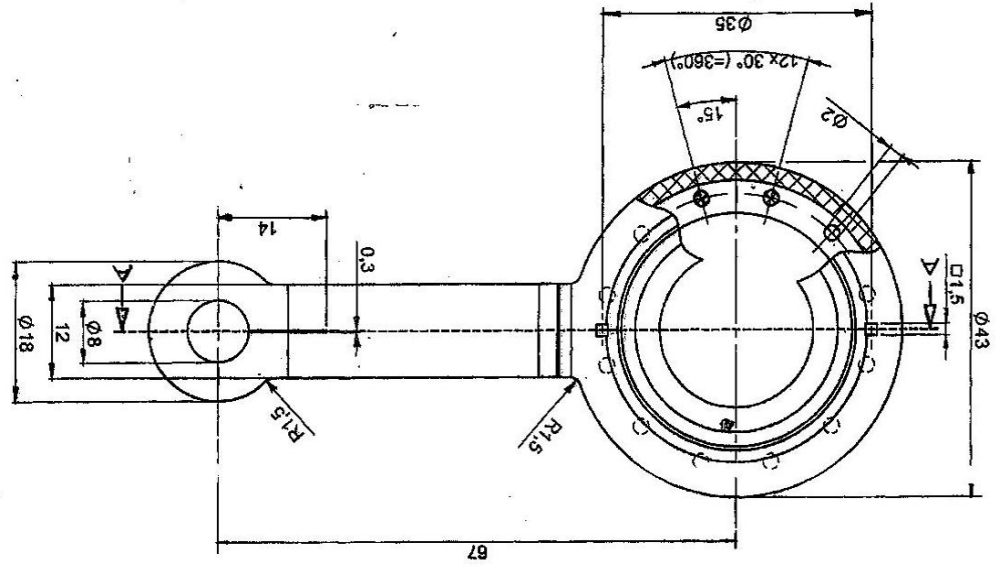
APPROVED

JWM/D.O.

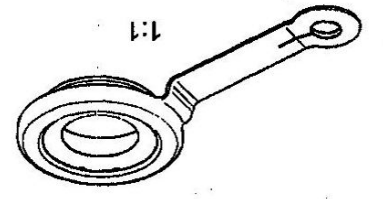
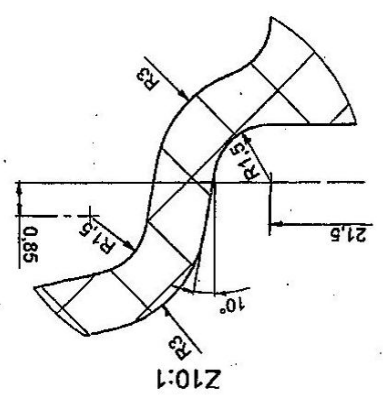
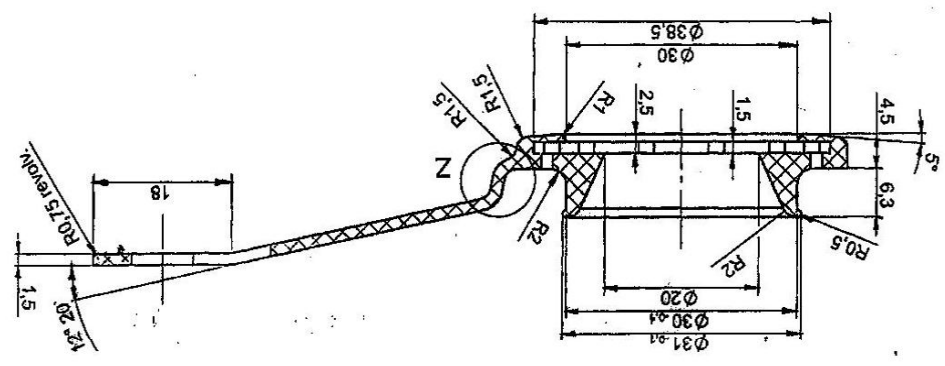
WMP

DRG. NO
COAH/789/15

BINOCLULAR 8x30 R
OBJECTIVE CAP



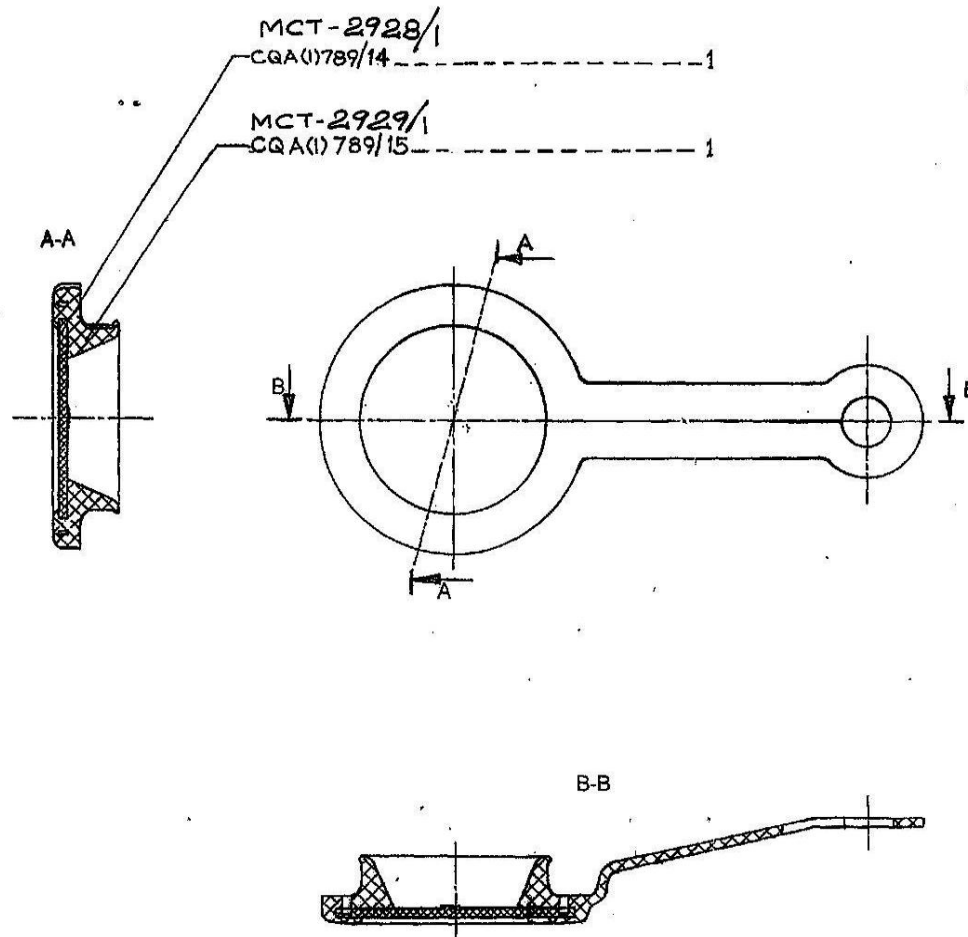
SECTION A-A



NOT DIMENSIONED EDGES CHAMFER 0.2mm.
SURFACE MAT FINISHED
COLOUR: RAL 6014
MATERIAL & SPEC: SEBS 60x5 SHORE A - BERGAFLEX

TEMPERATURE COMPATIBILITY OF THE
COMPONENTS. (+80° ±3° & -40 ±3°)

DT-12-06-2010		SCALE - NTS	
MATERIAL		TREAT.	
AS ABOVE		AS ABOVE	
DATE. 01/2015 BY 2/A/2015		SHEETS. 1	
AMENDMENTS		DRAWING NO.	
OFD/DO/002		MCI-29294	



ORDNANCE FACTORY
DEHRADUN

DRAWN BY: P.C SINGH
TR-
CH- *PC*
APPROVED
JWM
JWM/D.O. WM/P

DRG. NO
CQA(1) 789/SA-7

BINOCULAR 8x30 R
CAP PROTECTIVE DUST AND MOISTURE SEAL

	DT.-12-06-2010	SCALE - NTS
	MATL.	TREAT.
	AS ABOVE	AS ABOVE
D.A. No. 01/2015 Dt. 2/1/2015	SHEETS., 1	SHT. NO. 1
AMENDMENTS	DRAWING NO.	
OFD/DD/002	MCT-2927/1	