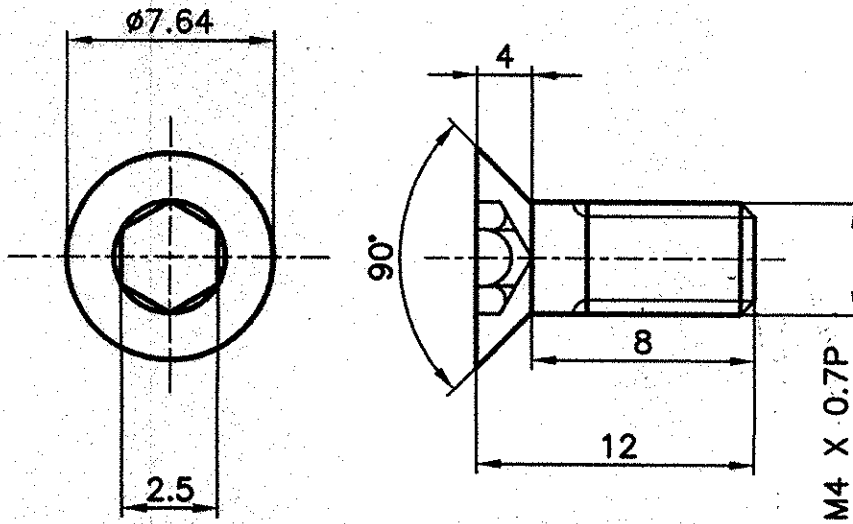


DIMENSIONS ARE IN mm.
 UNTOLERATED DIMNS. AS PER IS : 2102 (MED)
 SHARP CORNERS SHOULD BE BLUNT TO R0.5



MATERIAL: IS: 7380

COUNTER SUNK HEAD WITH HEXAGON SOCKET SCREW

PROTECTIVE FINISH : PHOSPHATED TO SPECIFICATION .JSS: 0465-01-1988.
CLASS - I (ACCELERATED OIL FINISH.)

PART NO.	DESCRIPTIONS	NO OFF	MATERIAL	TREATMENT	REMARKS
	SIGNATURE & DATE.				SCALE 4:1
	TRACED				STORE DRG.NO.
	DRAWN <i>S. Venkatesh</i>				OPERATION NO.
	CHECKED				SHEETS: 1
	HOS/D&DO <i>[Signature]</i>				SHEET No.: 1
	WORK OFFICER/ FOR MGL <i>[Signature]</i>				
	OFFICER/ D&DO				
AMENDMENTS	SIG. & DATE				
	APPROVED ON. 25/02/2015				

SUB: SCREW TRIGGER GUARD
 FOR: REAR FRAME & TRIGGER MECHANISM GROUP
 OF: 40mm MGL

DES. REF. NO.
 DRG. No.: 30P 3027
 (FT) **ORDNANCE FACTORY TIRUCHIRAPPALLI-16.**