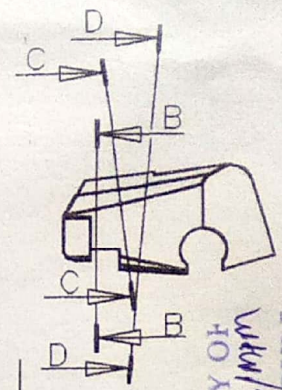
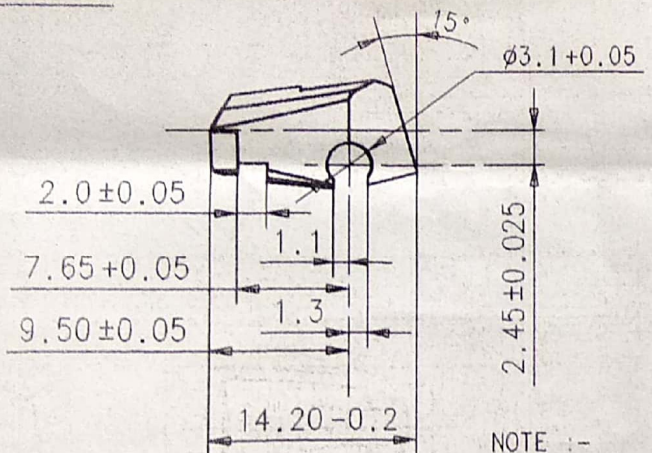


SEC:- D-D



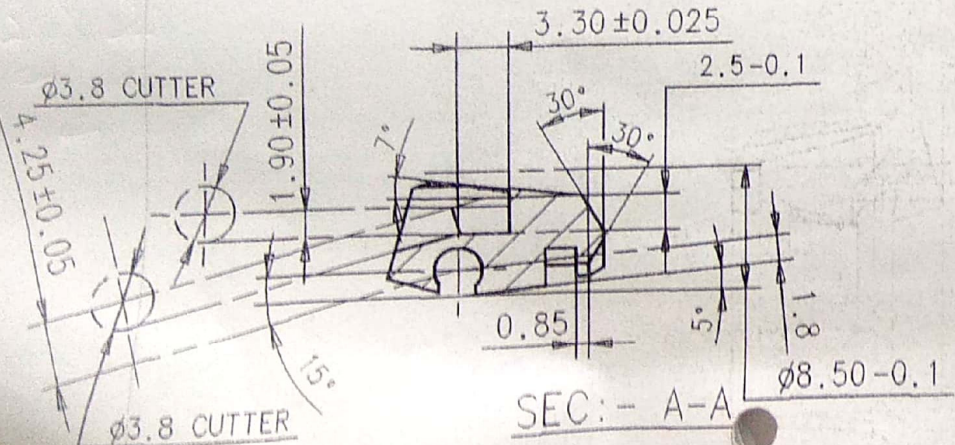
SEC:- B-B



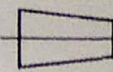
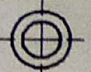
NOTE :-

- 1) ALL DIMENSIONS ARE IN mm.
- 2) GENERAL TOLERANCES ARE AS PER ISO 2768 (M)

समाप्त प्रति / CERTIFIED COPY OF  
 ड्राइंग / लेआउट / गज सिट्टुल H/W/mm  
 DRG/LAYOUT/GAUGE SCHEDULE  
 दिनांक / AT THIS DATE. 6.02.18  
 सी डी डी / CDD  
 राइफल कारखाना, इशापुर  
 RIFLE FACTORY, ISHAPORE



SEC:- A-A

MATERIAL :- INDO-MIM S7		ALL DIMENSIONS ARE IN MILLI METER		
HARDNESS :- 48-53 HRC		IMPORTANT DIMENSIONS MARKED THUS ⊕		
SUPPLY CONDITION :- BLACK OXIDE		INFORMATION MARKED THUS ⊕ TO BE MARKED ON		
TITLE OF	OPERATION	2018	NAME	DATE
EXTRACTOR(MIM)		DGN.	Munira	06/02
		DRN.		
INDIAN ORDNANCE FACTORIES RIFLE FACTORY ISHAPORE	 	SCALE:-	APPD.	06/02
		2:1		
EXTRACTOR(MIM)		DRG. NO.		
7.62x39 ASSAULT RIFLE GHAATAK		RF1 SK NO. 10226		
		SHEET-1 OF-1		