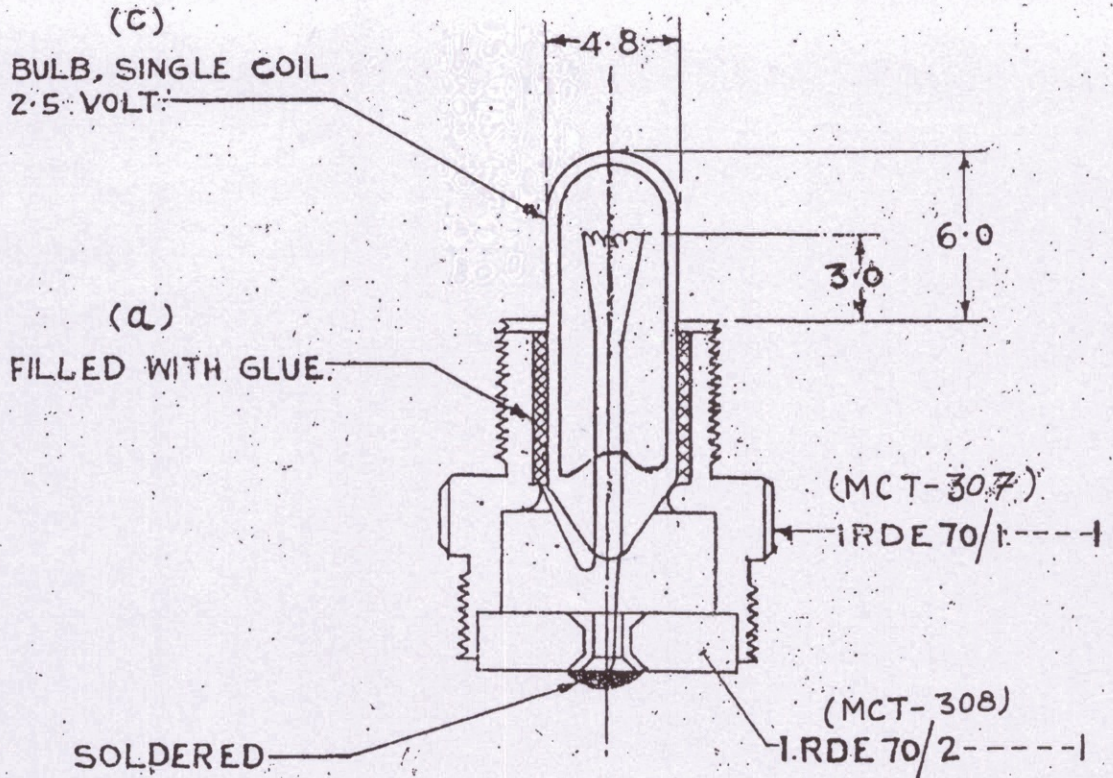


DEVICE F.C. ILLUMINATION, 4A
LAMP & SOCKET ASSEMBLY 2.5 V., 0.3 AMPS.

DRG. No. :- IRDE-70

MCT-306/1

ORDNANCE FACTORY, DEHRADUN.



(a)

NOTE :- BULB TO BE GLUED WITH MCT-307.

(c) DETAILS :-

VOLTAGE :- 2.5 VOLTS.

CURRENT :- 0.30 ± 0.05 AMPERES

ILLUMINATION :- 0.5 ± 0.05 C.P./WATT.

LIFE :- 50-HOURS.

FOR TRADE COPY

Date of issue 25/02/78

Signature

ALL DIMENSIONS ARE MM.
 IMPORTANT DIMENSIONS MARKED THUS ●
 INFORMATION MARKED THUS † TO BE MARKED ON.

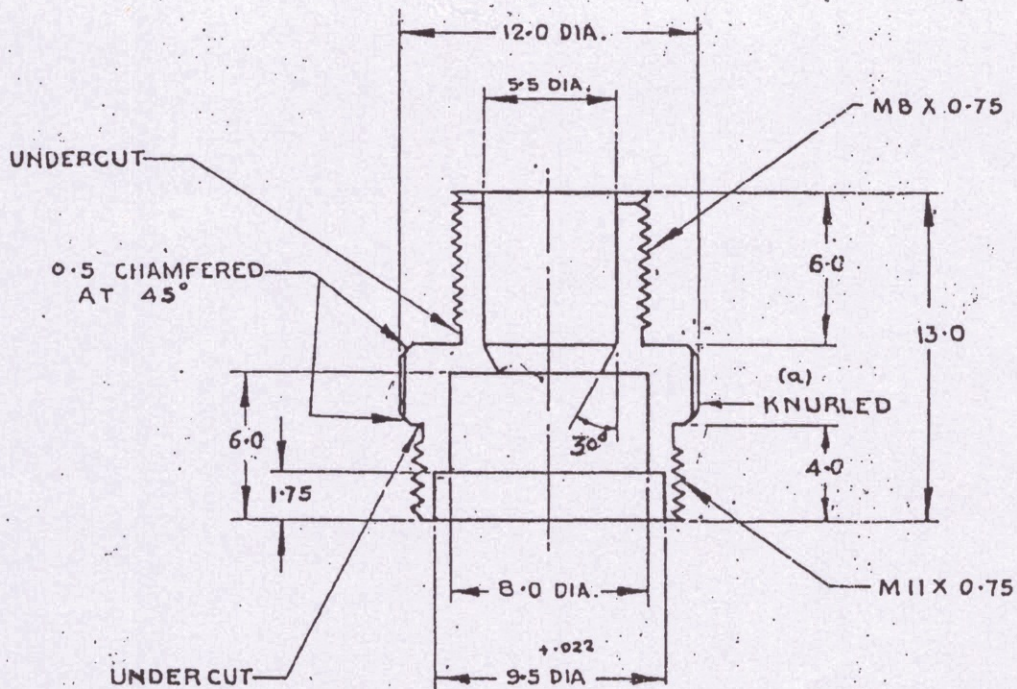
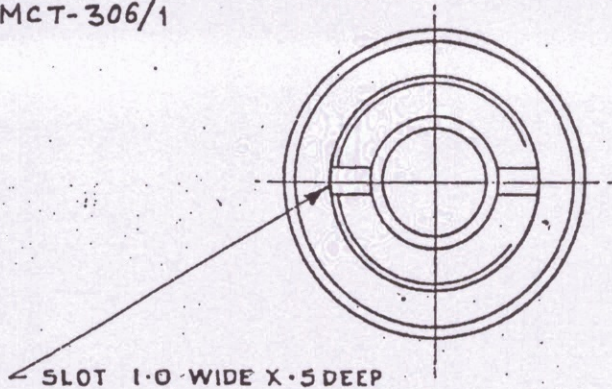
	DR.-	DT.-28.9.2011	SCALE- 4:1
	TR.- R.K.SHARMA	MATL. AS ABOVE	TREAT. AS ABOVE
	CH.- <i>Signature</i>	SHTS.- 1	SHT. NO.- 1
D.A. No 3/78	APPROVED.	DRAWING No.- MCT-306/1	
AMENDMENTS.	<i>Signature</i>		
OFD/DO/002	J.V. DO. <i>Signature</i> AWM/ASSY		

DEVICE F.C. ILLUMINATION, 4A SOCKET

DRG. No. :- IRDE-70/1

USED WITH MCT-306/1

MCT-307



ORDNANCE FACTORY, DEHRADUN.

MATL. :- BRASS, IS:319.
FINISH :- BLACK BRONZED.

FOR TRADE ONLY
Date of Issue 25/02/21
Raj

ALL DIMENSIONS ARE MM.
IMPORTANT DIMENSIONS MARKED THUS ●
INFORMATION MARKED THUS † TO BE MARKED ON.

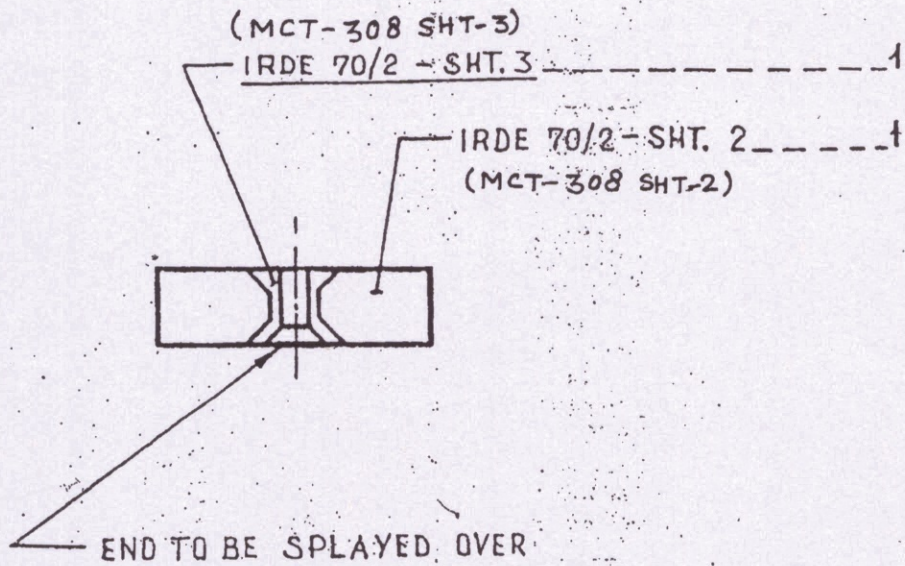
		DT.- 28.5.2011	SCALE- 4:1
		MATL. AS ABOVE	TREAT. AS ABOVE
		DR.-	SHTS.- 1
		TR.- R.K. SHARMA	SHT. NO.- 1
		CH.- <i>AS</i>	
		APPROVED.	DRAWING No.-
AMENDMENTS.	<i>AS</i>	<i>AS</i>	MCT-307
OFD/DO/002	JWM/DO.	AWM/ASSY	

DEVICE F.C. ILLUMINATION, 4A INSULATOR

DRG. No. :- IRDE-70/2

MCT-308

ORDNANCE FACTORY, DEHRADUN.



FOR TRADE ONLY

Date of Issue 25/02/11
[Signature]

ALL DIMENSIONS ARE MM.
IMPORTANT DIMENSIONS MARKED THUS ●
INFORMATION MARKED THUS † TO BE MARKED ON.

		DT. <u>28.9.2011</u>	SCALE - 4:1
	DR. -	MATL. AS ON DETAILS	TREAT. CLEAN
	TR. - R. K. SHARMA	SHTS. - 3	SHT. NO. - 1
	CH. - <i>[Signature]</i>	APPROVED. <i>[Signature]</i> JWM/DO. AWM/AS	
AMENDMENTS.			
OFD/DO/002			
		DRAWING No. - <u>MCT-308</u>	

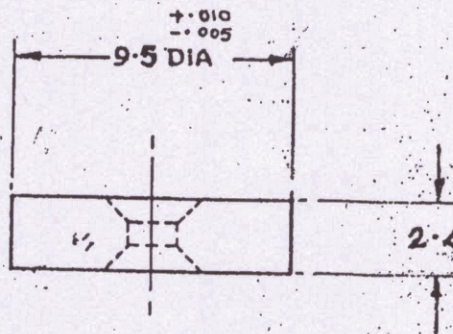
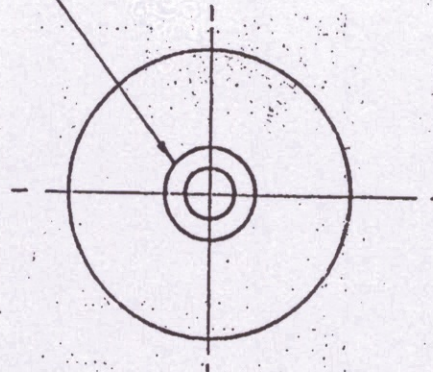
DEVICE F.C. ILLUMINATION, 4A INSULATOR

DRG. No. :- IRDE-70/2

MCT-308

ORDNANCE FACTORY, DEHRADUN.

HOLE, 1.6 DIA. & C' SK TO 3.2 DIA
AT 90° AT BOTH ENDS.



FOR TRADE OFF

Date of Issue: 25/07/21
Ref:

MATL. :- FIBRE OR ANY OTHER SUITABLE INSULATOR.
FINISH :- CLEAN.

ALL DIMENSIONS ARE MM.
IMPORTANT DIMENSIONS MARKED THUS ●
INFORMATION MARKED THUS † TO BE MARKED ON.

DISC

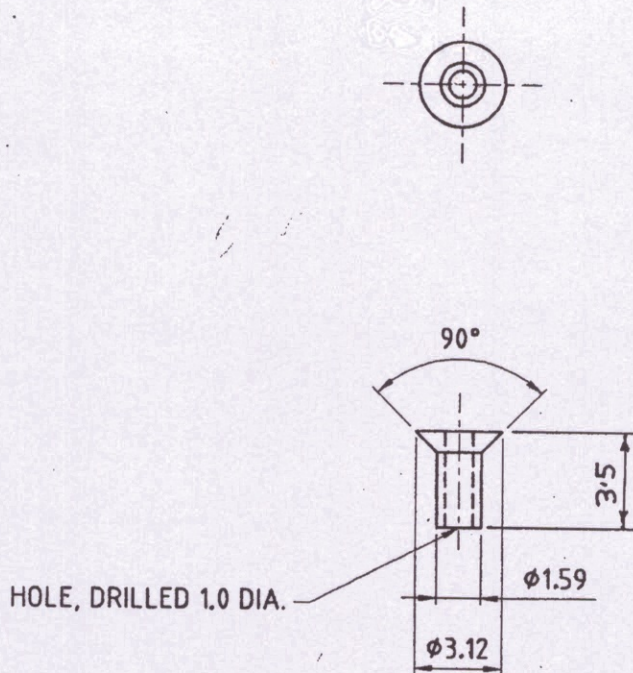
		DT.-29.09.2011	SCALE- 4:1
		<u>MATL.</u> AS ABOVE	<u>TREAT.</u> AS ABOVE
		DR.-	CH.-
		TR.- R. K. SHARMA	SHTS.- 3
		CH.- <i>[Signature]</i>	SHT. NO.- 2
		<u>APPROVED.</u>	
AMENDMENTS.		<i>[Signature]</i> JWM/DO.	<i>[Signature]</i> AWM/SSX
OFD/DO/002		DRAWING No.- <u>MCT-308</u>	

DEVICE F.C. ILLUMINATION, 4A INSULATOR

DRG. No. :- IRDE-70/2 (SHT.3 OF 3)

MCT-308

ORDNANCE FACTORY, DEHRADUN.



MATL. :- COPPER, IS:613..
FINISH :- CLEAN.

FOR TRADE ONLY

Date of Issue 25/01/21
Ry

ALL DIMENSIONS ARE MM.
IMPORTANT DIMENSIONS MARKED THUS ●
INFORMATION MARKED THUS † TO BE MARKED ON.

RIVET

		DT.-28-09-2011	SCALE- 4:1
	DR.-	<u>MATL.</u>	<u>TREAT.</u>
	TR.- R. K. SHARMA	AS ABOVE	AS ABOVE
	CH.- <i>SK</i>	SHTS.- 3	SHT. NO.- 3
	<u>APPROVED.</u>	<u>DRAWING No.-</u>	
AMENDMENTS.	<i>A</i>	<u>MCT-308</u>	
OFD/DO/002	JWM/DO.	A WM/ASSY.	