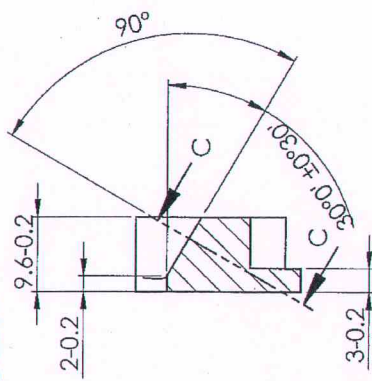
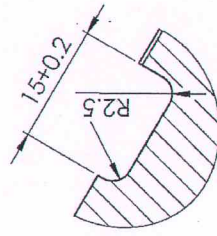


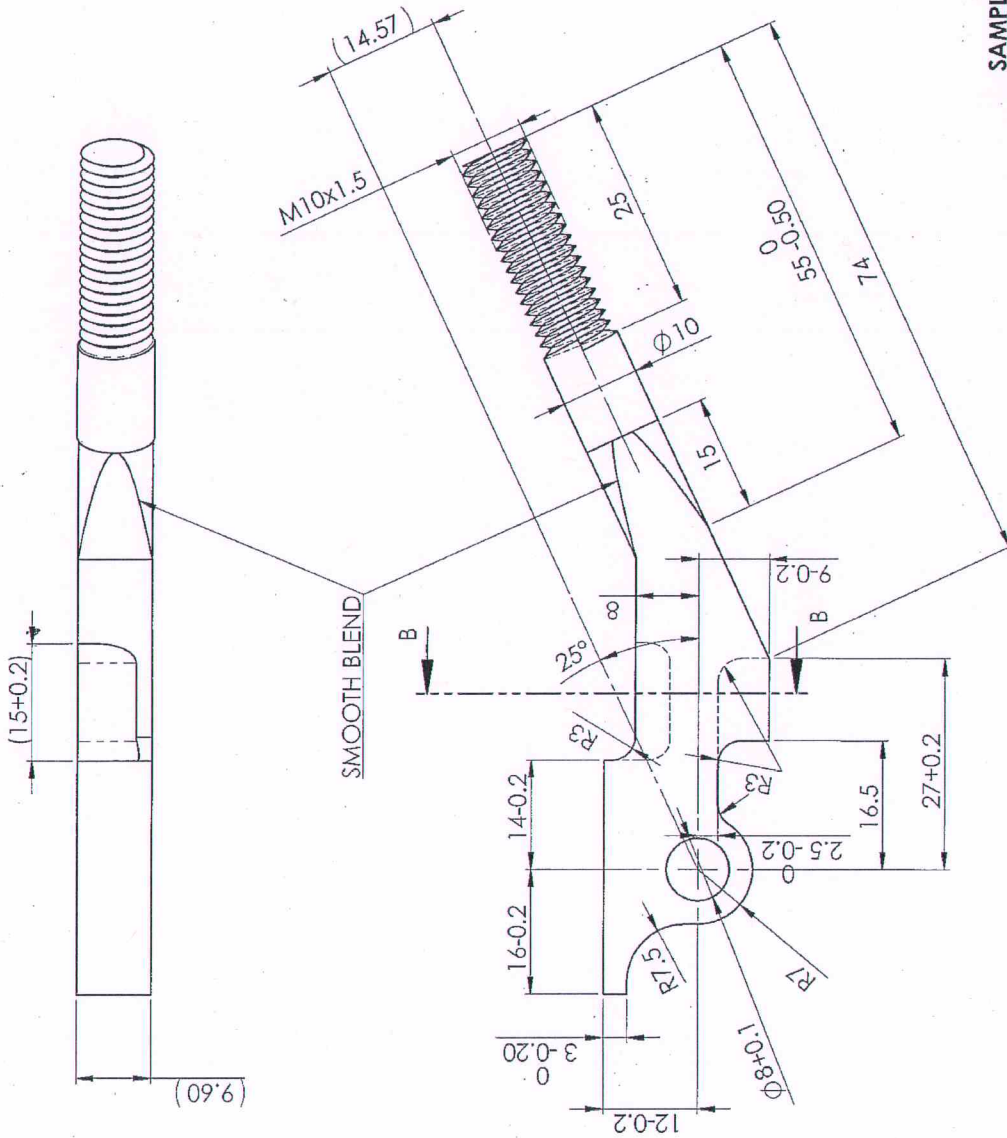
UN CONTROLLED COPY
 CERTIFIED CORRECT COPY OF APPROVED
 DRAWINGS AT THIS DATE 27/11/2022
[Signature] 14/12/22
 DESIGN & DRAWING OFFICE,
 ORDNANCE FACTORY, TIRUCHIRAPPALLI - 620 016.



SECTION B-B



SECTION C-C



SAMPLE MUST BE SUBMITTED AND GET APPROVED BEFORE BULK SUPPLY

Material: EN - 19	DWG Details	Material: EN - 19	3rd Angle	SIGN	DATE:
Alt. Material: BS 970 Pt-1, 1983 709M40	DRAWN	Alt. Material: BS 970 Pt-1, 1983 709M40	CHECKED	<i>[Signature]</i>	
Hardness: 34 - 41 RC	DRAWN	Hardness: 34 - 41 RC	CHECKED	<i>[Signature]</i>	
Finish: Finishing to ISS:0465-01-1994, Class: Oil finish	DO/QC	Finish: Finishing to ISS:0465-01-1994, Class: Oil finish	DO/DDO	<i>[Signature]</i>	
Un tolerated dimensions IS:2102 Medium		Un tolerated dimensions IS:2102 Medium			

DA - No. 002/2022
 Dt: 11/01/2022

DIMENSIONS ARE IN mm.
 UNTOLERATED DIMENSIONS AS PER IS:2102(MED)

SUB: **14.5mm BOLT LEVER**
 FOR: 14.5mm BOLT ASSY
 PROJ.: 14.5/20mm AMR
 Design Ref
 DWG. No.: **44P 14014 *** A3 QPG -
 ORDNANCE FACTORY
 TIRUCHIRAPPALLI - 16.

Do not scale Drawing
 All Dimensions are in mm
 Wt. 10.28 gm (Appx)
 SHEET: 1 OF 1