

DRG. NO.

V572 0175 7004

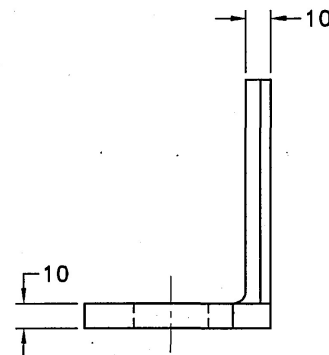
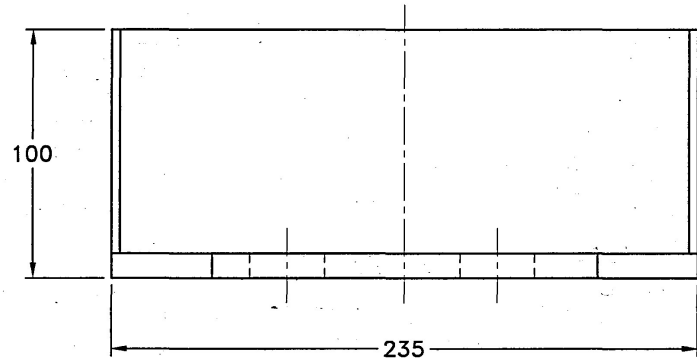
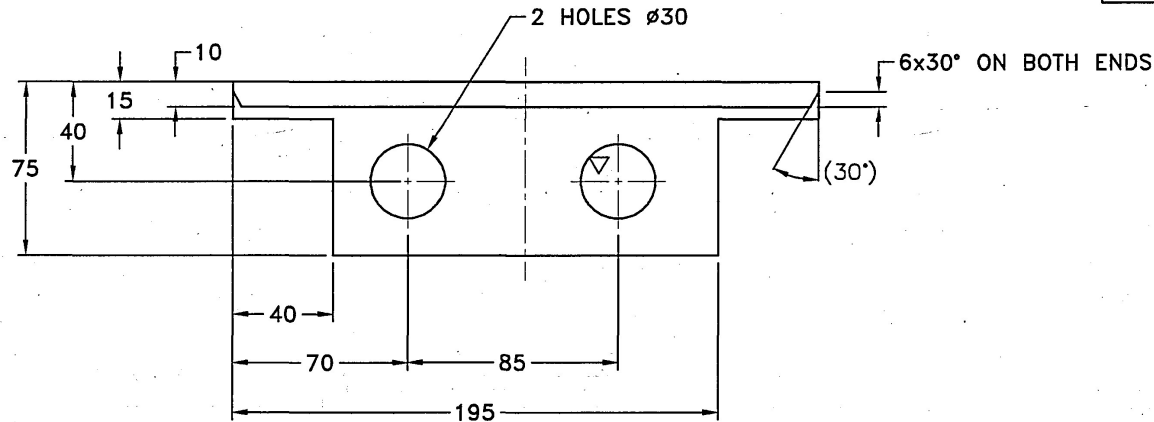
SHEET OF

ISSUE

2

1

LINEAR DIMENSIONS	0.5-3	3-6	6-30	30-120	120-315	315-1000	1000-2000
DEVIATIONS F UNSPECIFIED	± 0.1	± 0.1	± 0.2	± 0.3	± 0.5	± 0.8	± 1.2
DIMENSION							
LIMITS							



SEALED DRG *Ramkrishna* 8/12/11

~ (▽)

(BK) APPROVED FOR BULK PRODUCTION.  
04.04.2005

NOTE:-

- HOT ROLLED UNEQUAL LEG ANGLE TO IS: 808 (PART VI)-ISA 10075 AND STEEL TO IS:2062 Fe 410 WA
- REMOVE SCALES AND BURRS AFTER MACHINING.
- RED-OXIDE PAINTING IS TO BE DONE TO SPECN. JSS: 3-47-13. CQAEM/SS/133 SHADE CODE-446 FOR PRIMER FINISH (or) IS:2074-1992.

ROUGHNESS SYMBOL	~	▽	▽▽	▽▽▽	▽▽▽▽	ISSUE	AMENDMENTS
ROUGHNESS VALUE	50-25	25-6.3	6.3-0.8	0.8-0.1	< 0.1		
MATL	REFER NOTE NO.1					Est. wt : 2.464 Kgs	
DRN	STS	CAD	AD	DIMENSIONS IN mm.		STAMP PART NO. MANUFACTURER'S NAME & YEAR	
CHD	NB	COMP	RP	DRG. NOT TO BE SCALED		REMOVE ALL BURRS	
PASSED	<i>R. PANDUREGAN</i>			SCALE 1 : 2		USED ON V572 0175 0118, 0318 & 0618 (SHEET 3 OF 3)	
APPROVED	<i>V.R. PREMKUMAR</i>			DATE 24.8.2001		V572 0175 0444, 0445, 0844 & 0845	
TITLE	BARRIER-F					DRG. NO.	ISSUE
						V572 0175 7004	
						SHEET OF	
COMBAT VEHICLES RESEARCH AND DEVELOPMENT ESTABLISHMENT							

2

1