

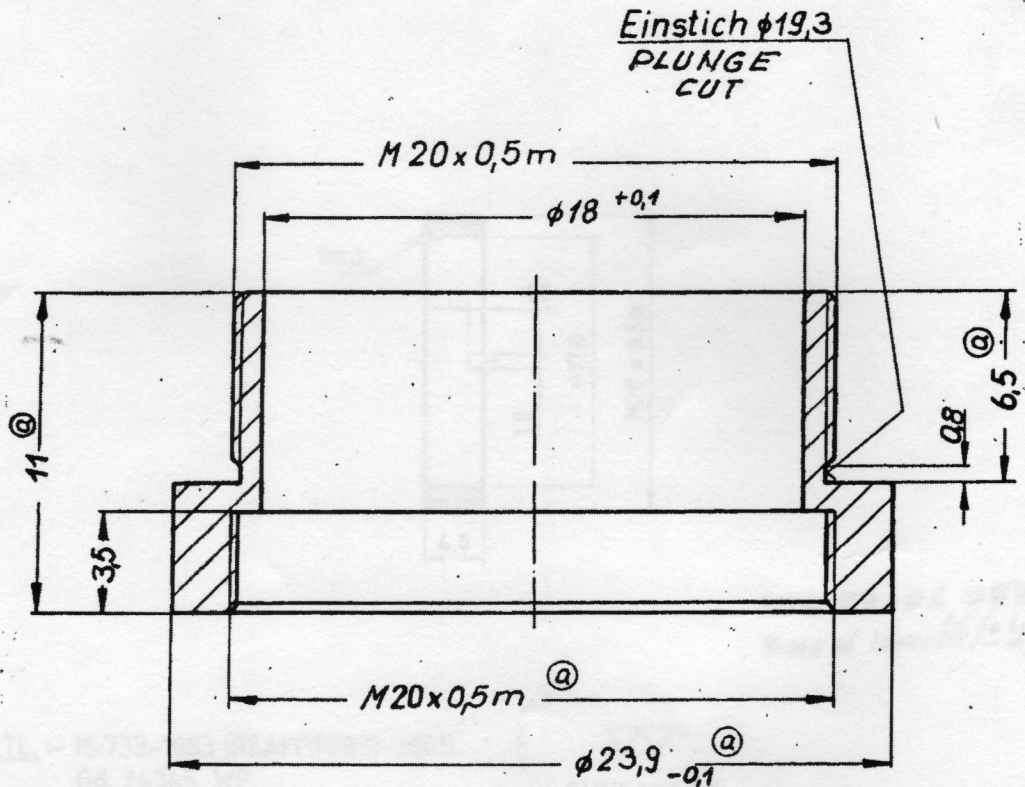
TELESCOPE SIGHT FOR 84 mm. CARL GUSTAV MK-III RING, ADJUSTING

DRG. No. - F. 1312-410340 G (CAAD) - 793/41

1st ANGLE PROJECTION

† MCT-2512

FOR TRADE OFF
Date of Issue 16/04/21
Rajiv



(a)
ALT. MATL. :- IS:733-1983 (REAFFIRMED-2001) Gd. 24345, WP
(OR)
IS:738-1994 (REAFFIRMED-1999) Gd. 24345, T4.

▽
SURFACE = 52

MATL.:
TUBE 24X3.
Al Cu Mg Pb F38

ALL DIMENSIONS ARE MM.
IMPORTANT DIMENSIONS MARKED THUS ●
INFORMATION MARKED THUS † TO BE MARKED ON

	DR - R.K. SHARMA	DT-3-5-07	SCALE-NTS
	TR - <i>SK Dhapliya</i>	MATL	TREAT.
	CH -	AS ABOVE	-
		SHTS - 1	SHT. NO - 1
(a) DA NO.01, Dt. 17/01/2018	APPROVED	DRAWING No. - MCT-2512	
AMENDMENTS.	<i>Biswajit</i>		
OFD/DO/002	JWM/DO		
	<i>[Signature]</i>	DGM/P	

ORDNANCE FACTORY, DEHRADUN

TELESCOPE SIGHT FOR 84mm. CARLGUSTAV MK-III

SCREW RING, LENS

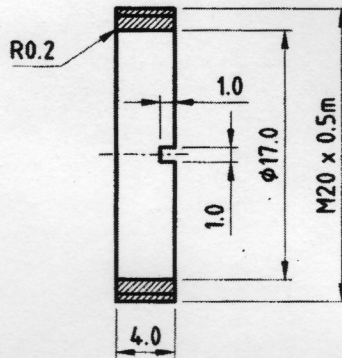
DRG. NO.

F-1312-410400 H (OAG)-793/43

THIRD ANGLE PROJECTION



MCT-2513/1



FOR TRADE ONLY

Date of Issue 16/04/2007

(a)

ALT. MATL. :- IS:733-1983 (REAFFIRMED-2001)

Gd. 24345, WP

(OR)

IS:738-1994 (REAFFIRMED-1999)

Gd. 24345, T4.



SURFACE 52

MATL. & SPECN:-

Tube 20 X 1.5

Al cu Mg pb F38

DIMENSIONS ARE IN M/M. OTHERWISE STATED

IMPORTANT DIMENSIONS MARKED THUS ⊗

INFORMATION MARKED THUS † TO BE MARKED ON

DT.- 12-07-2007

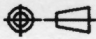
SCALE- 2:1

	DR- P.C.SINGH	<u>MATL.</u>	<u>TREAT.</u>
	TR-	AS ABOVE	AS ABOVE
(a) DANO.01, Dt.17/01/2018	CH-	SHEETS. 1	SHT. NO. 1
DA No. 8/2007 Dt. 12-07/2007	<p style="text-align: center;"><u>APPROVED</u></p> <p>JWM/D.O. JWM/A-I Jt.GM/P</p>	<u>DRAWING NO.</u>	
AMENDMENTS		MCT-2513/1	
OFD/DO/002			

ORDNANCE FACTORY, DEHRADUN

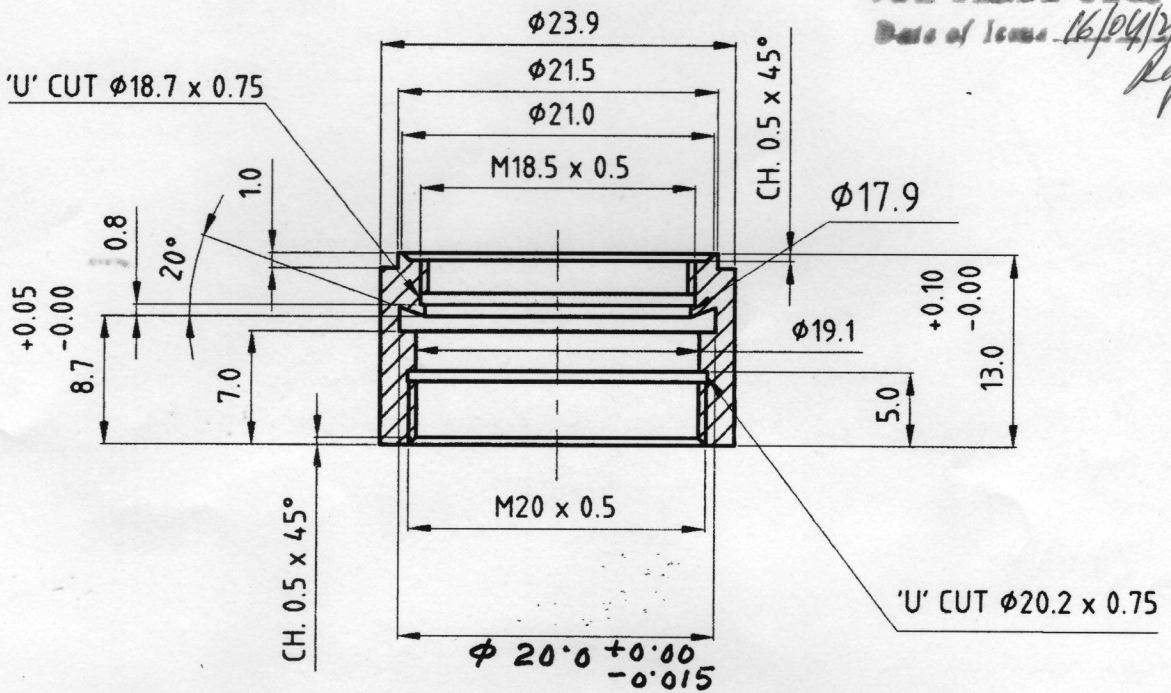
TELESCOPE SIGHT FOR 84mm CARLGUSTAV MK-III

SLEEVE OBJECTIVE

THIRD ANGLE PROJECTION 

ODD/M/2743/1

FOR TRADE USE
Date of Issue 16/04/21
Ref



MATL :- Al Cu Mg Pb F 38
TUBE 25x4
FINISH:-ANODISED BLACK DULL

DIMENSIONS ARE IN M/M. OTHERWISE STATED
IMPORTANT DIMENSIONS MARKED THUS \otimes
INFORMATION MARKED THUS \dagger TO BE MARKED ON

DT.- 8-12-2006	SCALE- 2:1
MATL.	TREAT.
AS ABOVE	AS ABOVE
SHEETS.1	SHT. NO. 1

DR- P.C.SINGH	APPROVED <i>[Signature]</i> IC/D.O. JWM/AI DGM/P
TR-	
CH- <i>[Signature]</i>	
DANO 8/07 DT. 12-07-2007	DRAWING NO.
AMENDMENTS	ODD/M/2743/1
OFD/DO/002	

ORDNANCE FACTORY, DEHRADUN

DIMENSIONS GIVEN BY MS-II