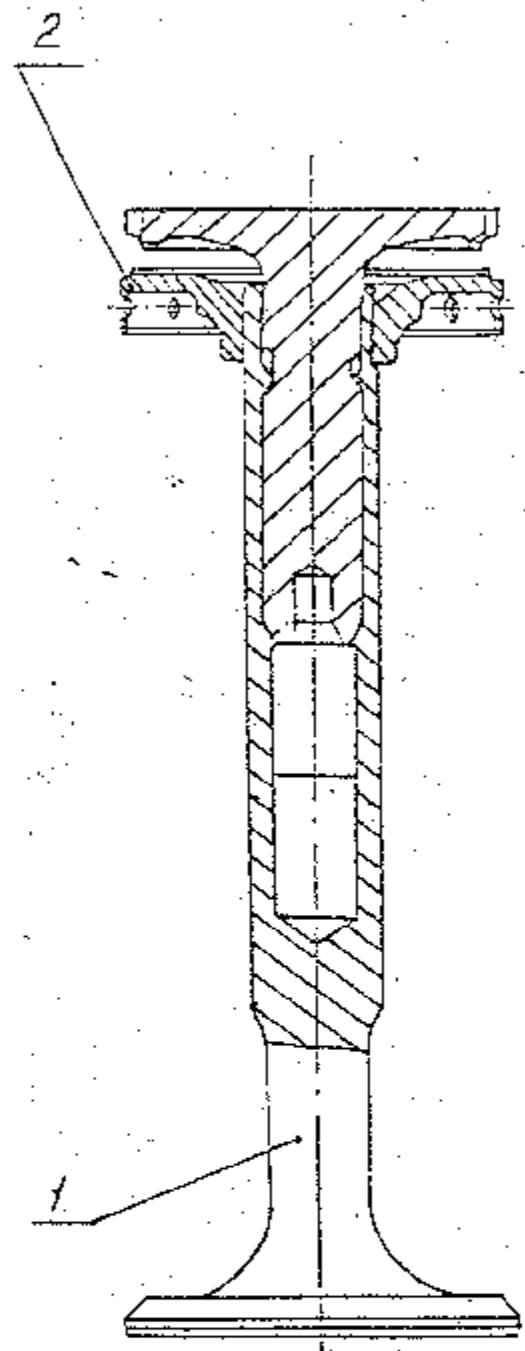




DRAWING NUMBER
CQA (HV) 506.602E



(A) TECHNICAL REQUIREMENTS

1. Peripheral play of Lock Valve Disc 20-06-48 (Item No. 2) on flats of the Intake Valve rod 20-06-46-2 * is 0.05 to 0.40 on 50 Dia.
2. Lock Valve Disc 20-06-48 should match closely with Valve Disc 20-06-47 * by all their splines, 100 % checking is to be ensured.
3. Assy Valve Intake with Disc Lock is to be procured / replaced as a set.
4. The parts should be clean, free from dust, dirt and oiled to prevent rust.

* Part of item No.1

PILOT SAMPLE SHOULD BE APPROVED BY A H S P BEFORE BULK PRODUCTION

EST. WT. 0.440 kg TO BE STAMPED OR MARKED WHERE INDICATED (THUS #1 LETTERS)

ALL SHARP EDGES AND CORNERS TO BE REMOVED UNLESS OTHERWISE STATED MACHINED CORNERS TO HAVE R OUT SIDE R INSIDE EQUIVALENT CHAMFERS ARE PERMISSIBLE.

DRM	APPROVED	MATERIAL:-	USED ON C/ 20-06-12-6 C/ 20-06-13-6 UTD-20 ENGINE
END	APPROVED		
TCD	APPROVED		
APPD	APPROVED		
DATE	7 DEC 99	CONTROLLERATE OF QUALITY ASSURANCE DEAVY VEHICLE AVADI	
SCALE:-	1:1		
DIMENSIONS IN mm		TITLE ASSY. VALVE INTAKE WITH DISC LOCK	
TOLERANCE ON DIMS UNLESS OTHERWISE STATED IS : 210Z-49.			
A	10.4.02	AUTHY Lt No. EFA/P/PDO/ 023 dt 18-3-02	D S CAT NUMBER
ISSUE	DATE	NATURE OF AMENDMENTS	DRAWING NUMBER CQA(HV) 506 602E



SIZE A3

