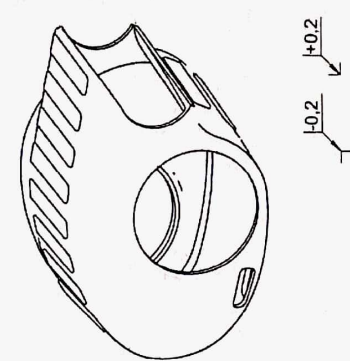
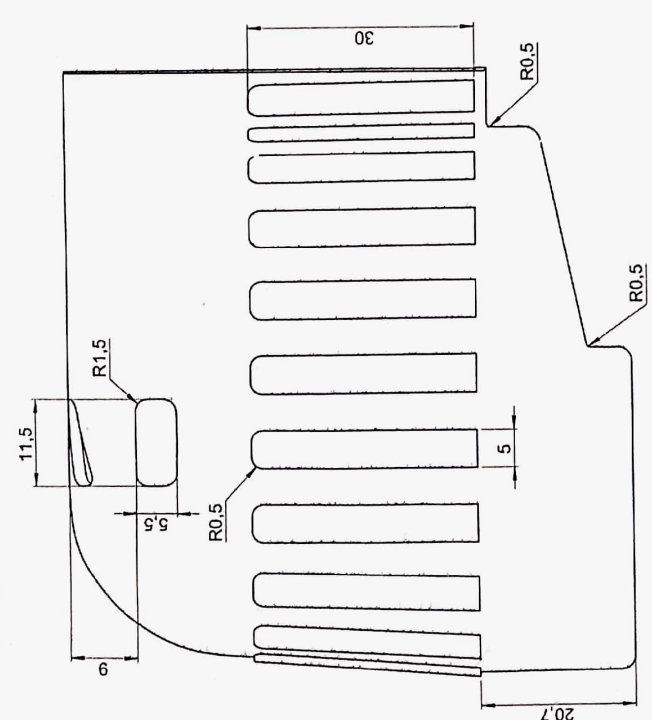
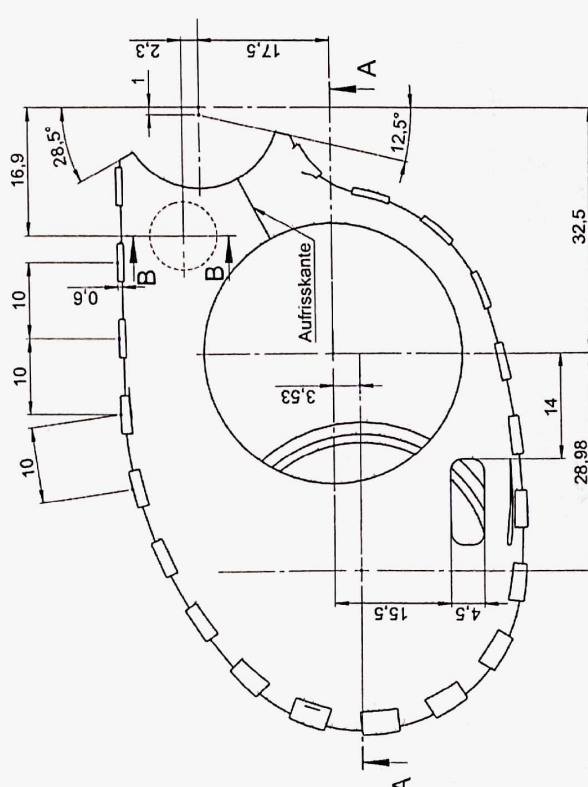
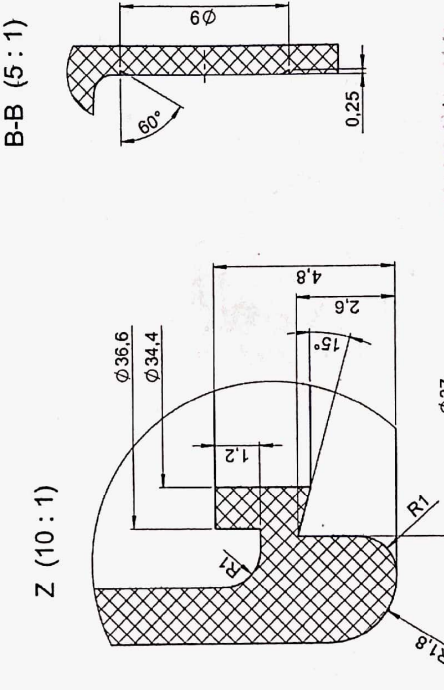
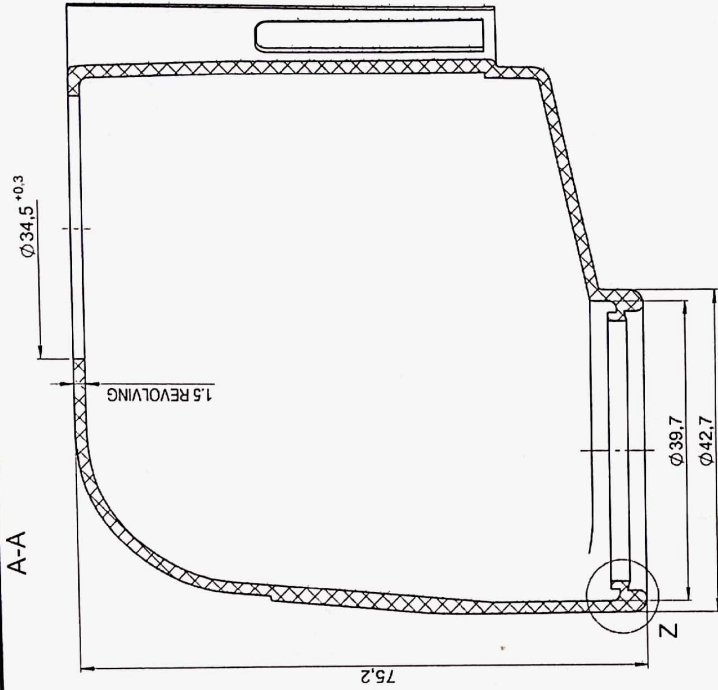


INNER CONTOUR TO  
 HOLDER OPTICAL ELEMENT MCT-2923/1  
 HOLDER OPTICAL ELEMENT MCT-2958/1  
 COVER PLATE MCT-2962/1 ADAPTED  
 VISIBLE OUTER SURFACE WITH  
 SURFACE STRUCTURE ACCORDING  
 TO DIN VDI 3400 REF 30  
 MANUFACTURED TO CAD- DATA  
 DIMENSIONS WITHOUT TOLERANCE  
 ACCORDING TO ISO: 3302-1/2 M2  
 TEMPERATURE COMPATIBILITY OF THE  
 COMPONENTS (+80° C ± 3° C & -40° C ± 3° C)



AMENDED DRG  
 CONTROLLED COPY  
 Copy No. ....  
 Date of Issue 17/01/2020  
 P. Singh

MATL:- NBR/PVC 55±5 SHORE A  
 FINISH:- COLOUR RAL 6014

DT.- 12-06-2010	SCALE- NTS
MATL. AS ABOVE	FINISH AS ABOVE
DA. NO. 01/2020, Dt.-17/01/2020	SHTS.- 01
DA. NO. 01/2015, Dt.- 02/01/2015	DRAWING NO.-
AMENDMENTS	<b>MCT-2952/1</b>
OFD/DO/002	

**BINOCULAR 8X30R**  
**COVER PROTECTIVE DUST AND MOISTURE SEAL**

DR. - P.C. SINGH  
 TR.  
 CH. - J.N. GHOSHAL  
 APPROVED  
 (S. K. PARSWARI)  
 W.M.P.  
 (P. N. GHOSHAL)  
 W.M.P.

ORDNANCE FACTORY  
 DEHRADUN

REF. DRG. NO.- COA/IL- 788/25M  
 OEM NO.- 0543-0302.111 (K00001717)





